



中物精密电器（上海）有限公司
CHUBUTSU PRECISE ELECTRONIC COMPANY LIMITED

LCD-P Instructions



中物精密电器（上海）有限公司
CHUBUTSU PRECISE ELECTRONIC COMPANY LIMITED

Content

ABOUT THE USER MANUAL	3
OUTLOOK AND SIZE	3
MATERIAL AND COLOR	3
BUTTON DEFINITION.....	4
FUNCTION SUMMARY	5
FUNCTION SUMMARY	5
FULL VIEW AREA	7
NORMAL VIEW AREA.....	7
NORMAL OPERATION	8
1. ON/OFF	8
2. CURRENT DISPLAY	8
3. KM/H & MPH.....	8
4. BACKLIGHT INDICATOR	9
5. 6KM/H WORK	9
6. PAS LEVEL SELECTION	10
7. ERROR CODE INDICATOR	10
8. SET OPERATION	11
9. DISTANCE INDICATOR	12
10. TRIP TIME INDICATOR.....	11
11. BATTERY INDICATOR.....	12
12. CABLE DEFINITION	14
13. AUTO SLEEP AFTER 5 MINUTES.....	14
ERROR CODE TABLE	15



中物精密电器（上海）有限公司
CHUBUTSU PRECISE ELECTRONIC COMPANY LIMITED

About the User Manual

Dear users,

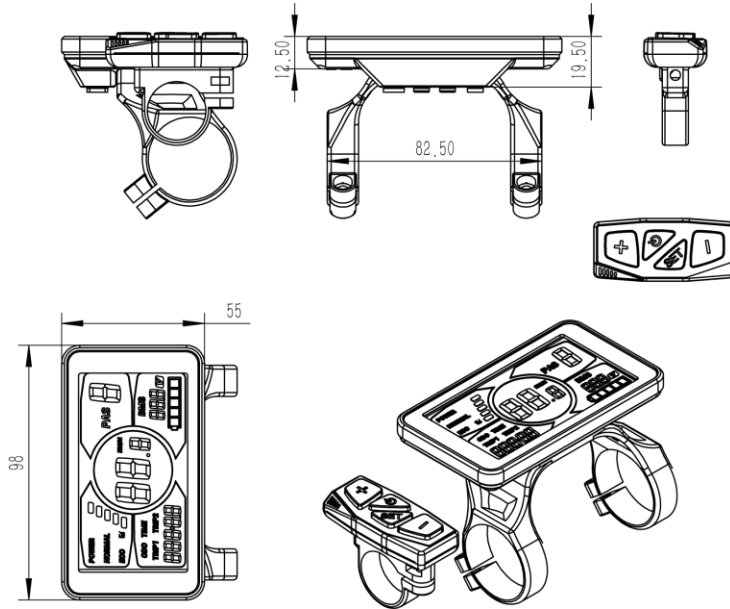
To ensure better performance of your e-bike, please read through the C600 product introduction carefully before using it. We will inform you all the details concisely (including hardware installation, setting and normal operations) when using our display. Meanwhile, the introduction will also help you solve possible confusion and malfunction.

Outlook and Size


Material and Color

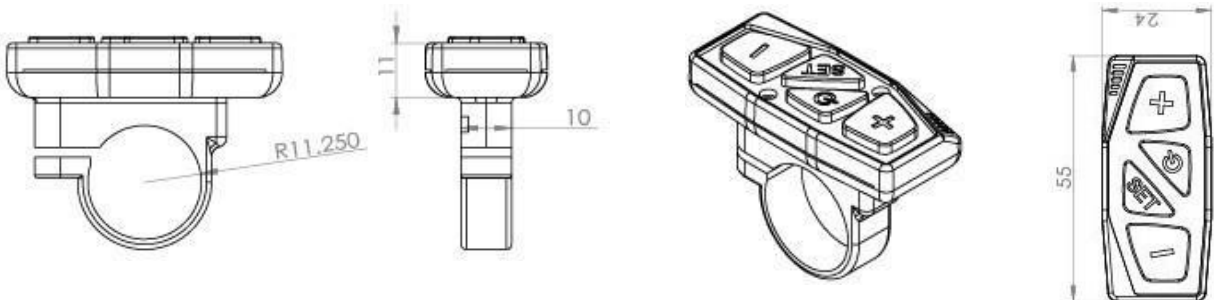
LCD-P products are made of black ABS material and the bracket is made of nylon material. Under the temperature of -20 to 60°C, the shell material can ensure normal usage and good mechanical performance of the products.

Dimension figure (unit: mm)



Button Definition

LCD-P has four buttons, including **ON/OFF**、**SET**、**UP** and **DOWN**
“ON/OFF” names to “”, “SET” names to “**SET**”; “UP” names to “+” and
“DOWN” names to “-”.



Function Summary

Function Summary

LCD-P provides a wide range of functions and indicators to fit the users' needs. The indicated contents are as below.

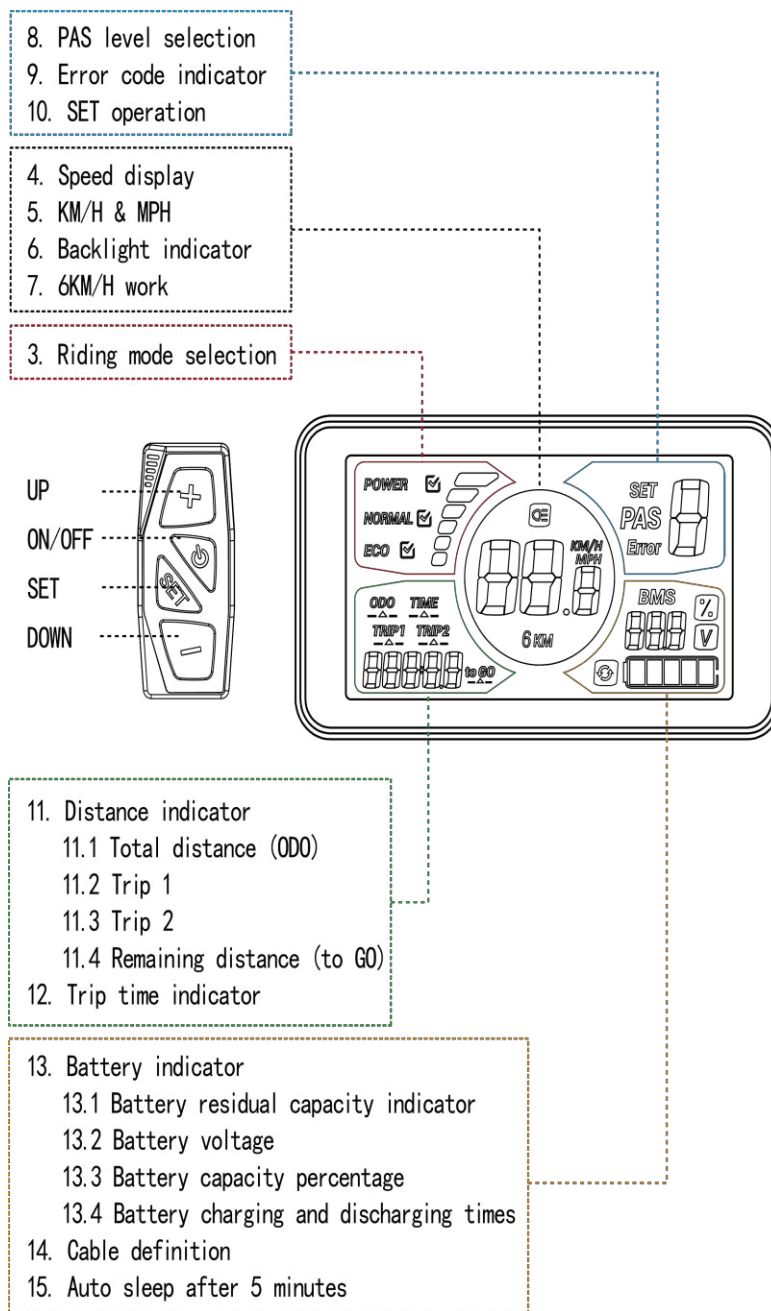
1. ON/OFF
 2. Current display
 3. KM/H & MPH
 4. Backlight Indicator
 5. 6KM/H Work
 6. PAS Level Selection
 7. Error Code Indicator
 8. SET Operation
 9. Distance Indicato
 - 9.1 Total distance (ODO)
 - 9.2 Trip 1
 - 9.3 Trip 2
 10. Trip time indicator
 11. Battery indicator
 - 11.1 Battery residual capacity indicator
-

中物精密电器（上海）有限公司
CHUBUTSU PRECISE ELECTRONIC COMPANY LIMITED

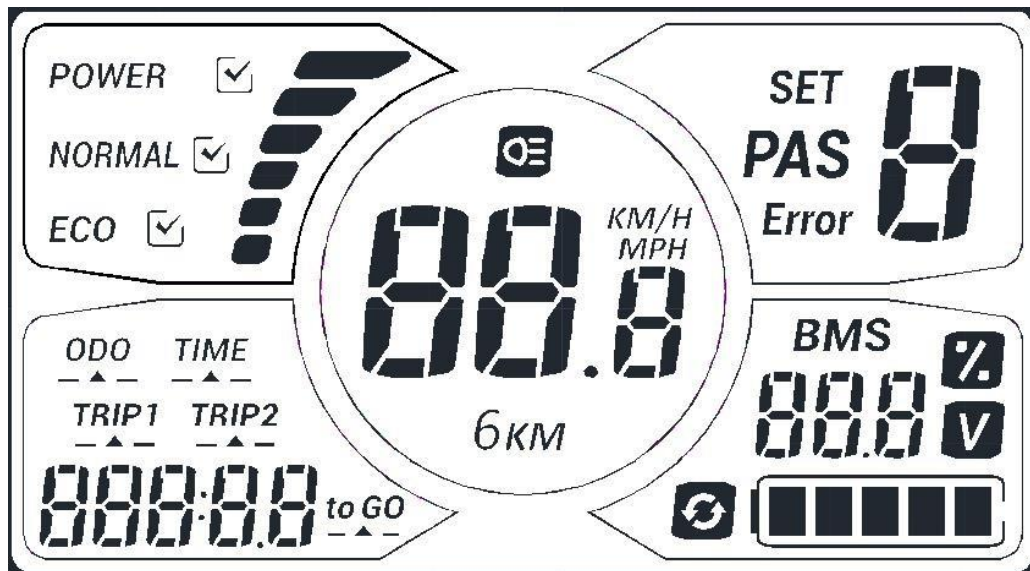
11.2 Battery voltage

12. Cable definition

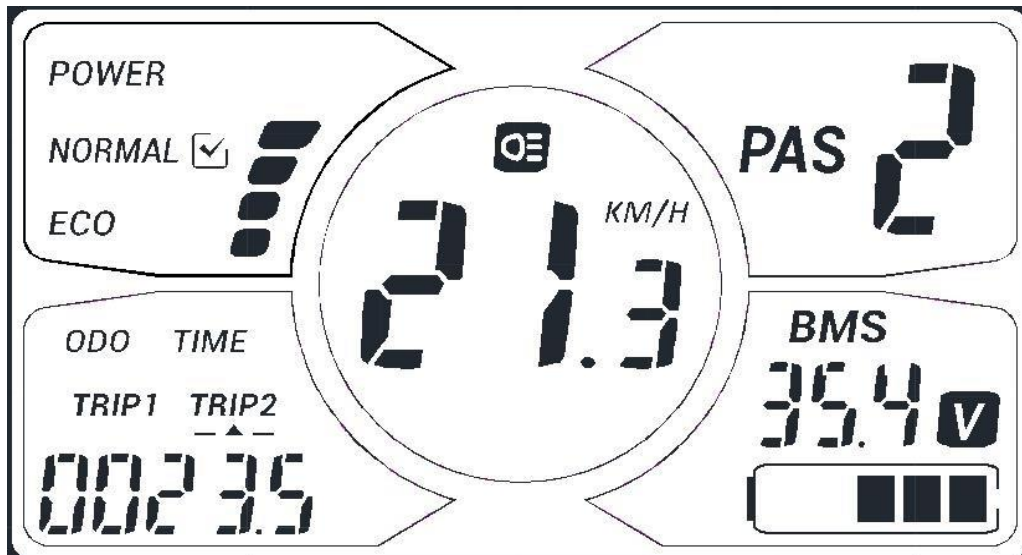
13. Auto sleep after 5 minutes



Full View Area



Normal View Area



Normal Operation

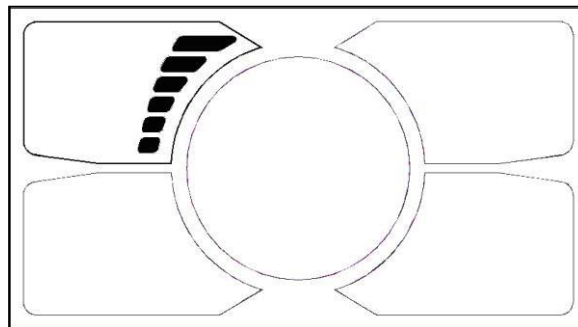
1、 ON/OFF

Hold **ON/OFF** and start the display. The display will provide power for the controller. Hold **ON/OFF** again to open the backlight. With display on, press **ON/OFF** for 3 seconds to turn off the power. With the display off, there is no battery power consumption. The leakage current is no more than 2 μ A.

※The panel will go to sleep when the speed is 0 km/h for 5 minutes.

2、 Current Display

That represents the discharging current of the controller currently, each segment is 2A, six segments is ≥ 12 A.



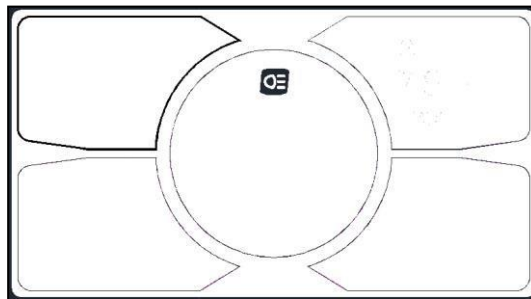
3、 KM/H & MPH

Select KM/H or MPH for the speed and mileage, display will be the currently

selected units display.

4、Backlight Indicator

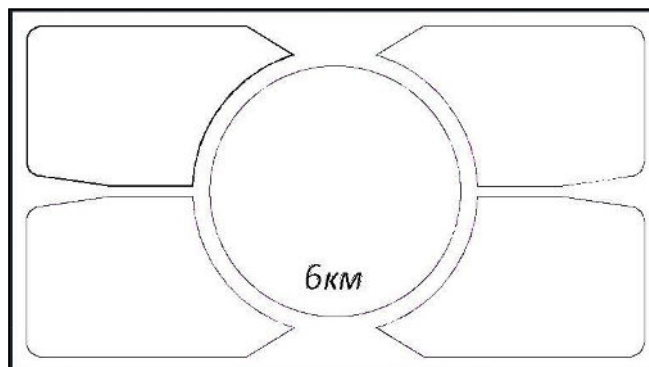
With the power on, click the **ON/OFF** and turn on the backlight. Click it again and turn off the backlight.



※If the e-bike has headlight, the controller will turn on/off the headlight at the same time of the backlight on/off (without this function by default).

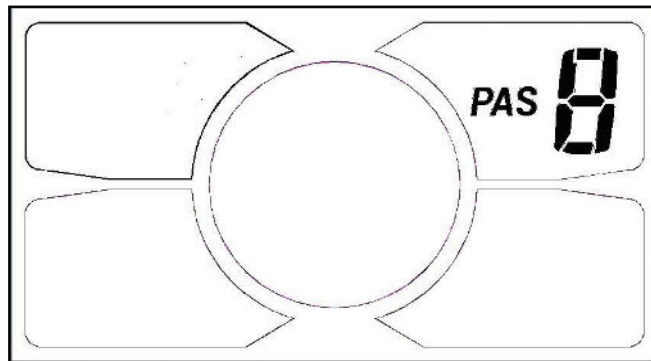
5、6KM/H Work

Hold the **UP** for 2 seconds to get in 6km PAS work, and with your hand off, the 6km PAS work is released. The display is as below.



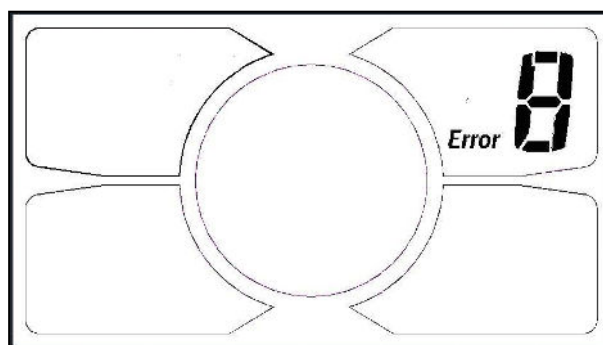
6、 PAS Level Selection

Click **UP** or **DOWN** to change the stages and output power ratio, the default mode are from mode 1 to mode 6.



7、 Error Code Indicator

If there is something wrong with the electronic control system, the display will flash at 1 HZ and show the error code automatically. Different error code is corresponding with different fault information, please see the last page **Error code table** for details.

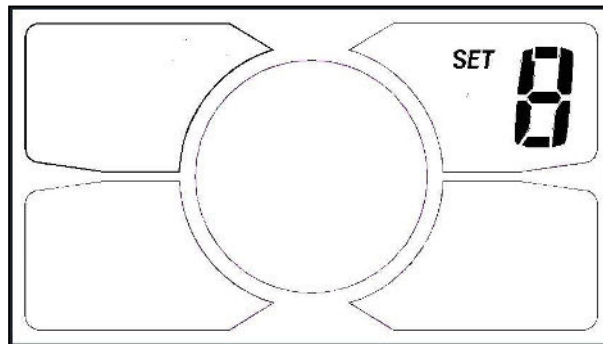


※Display return to normal only after problem being fixed and e-bike will not

run before fixing the problem.

8、 SET Operation

Hold the **SET** for 2 seconds and enter into the setting interface, then Number 8 is lighting, the display will flash at 1 HZ. Click the **SET** to cycle from 0 to 2 setting interface, press **UP** or **DOWN** to select the wanted parameter, and hold the **SET** for 1 second to exit.



8.1 SET 0 : Reset trip 1 distance

Click the **DOWN** to reset the trip 1, then the **TRIP1** icon will flash at 1 HZ, meanwhile the trip 1 will be cleared.

8.1 SET 1 : Wheel diameter setting

Select the accurate wheel diameter value to ensure the accuracy of display about speed and mileage.

8.2 SET 2 : KM/H & MPH

Select KM/H or MPH for the speed and mileage, display will be the currently

selected units display.

※Press **UP** or **DOWN** to select parameter, hold the **SET** for 1 second to save and exit.

9、 Distance Indicator

With the display on, press **SET** to switch the display information, in turn shows:

ODO, trip 1 and trip 2.

9.1 ODO

The ODO records the driving mileage from using, the accumulated value cannot be cleared.

9.2 Trip 1

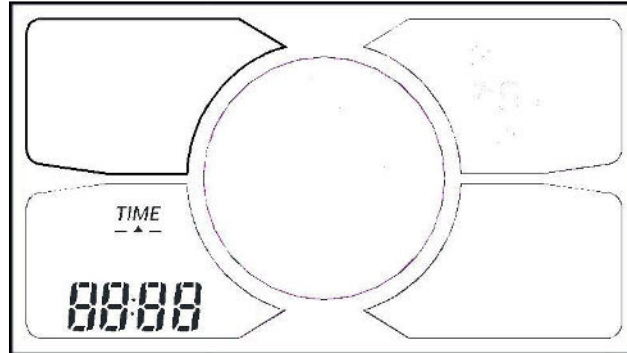
Trip 1 can be reset by hand in the **SET 1** interface. (when the riding mileage $\geq 500\text{km}$, it will be reset automatically. The value will be accumulated without resetting.)

9.3 Trip 2

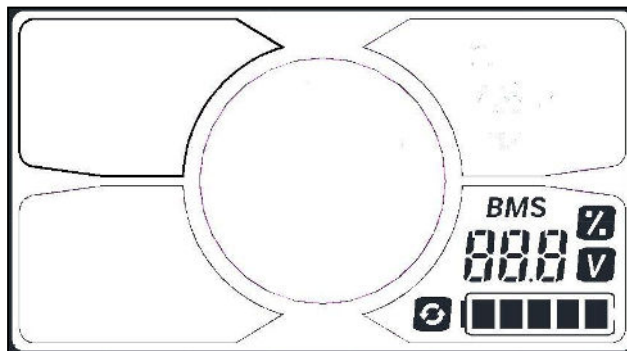
Trip 2 displays the last driving distance for 30 s after turning on the display, then reset it automatically and start to record the current distance.

10、 Trip Time Indicator

The riding time parameter is automatically reset when the speed $> 5\text{KM/H}$. after shut down



11、 Battery Indicator



11.1 Battery residual capacity indicator

The battery frame have five segments, each segment represent 20% battery capacity. When the capacity is full, the five segments are all light. In low battery, the battery frame will flash, it indicates that the battery is severely low and needs to be recharged immediately.



11.2 Battery voltage

It displays the current voltage of the battery.

※The panel displays the voltage for the default.

12、 Cable Definition

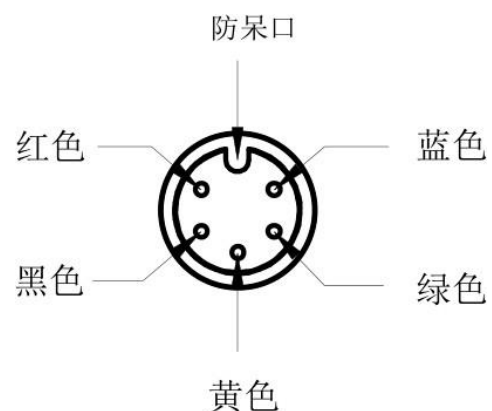
1 RED : Battery + 2

BLACK : Battery -

3 GREEN:UART-SEND (TXD)

4 BLUE: UART- RECEIVE (RXD)

5 YELLOW : Lock



13、 Auto Sleep After 5 Minutes

When the riding speed is 0 km/h for 5 minutes, the system will go to sleep automatically.

Error Code Table

The error code is corresponding with the fault definition.

Error code	definition
2	Current error or MOS damaged
3	Motor stalling
4	Under voltage
5	Brake error(Start detection)
6	Hall damaged
7	Throttle error
8	358 error
9	Overhigh voltage (>45V)
10	communication controller receiving error
15	communication display receiving error